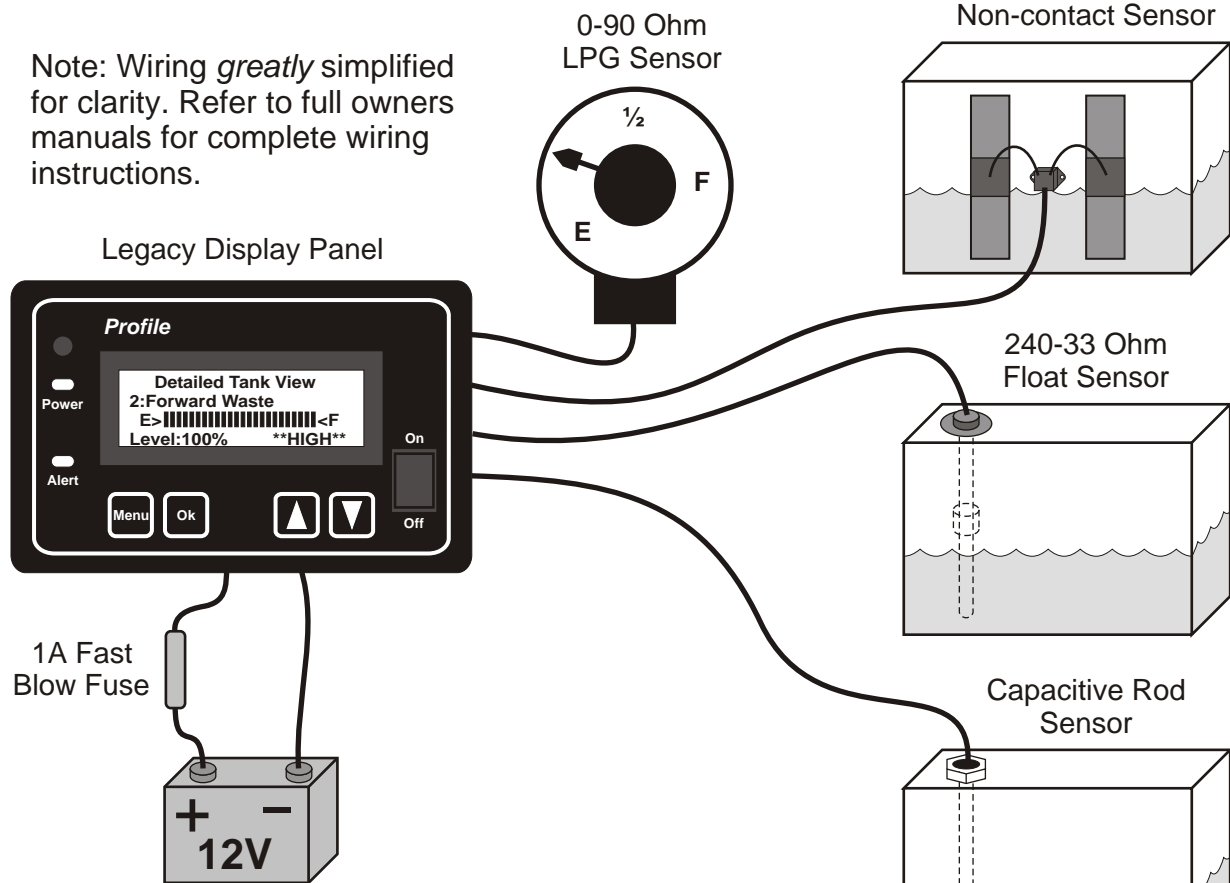


Note: Wiring *greatly* simplified for clarity. Refer to full owners manuals for complete wiring instructions.

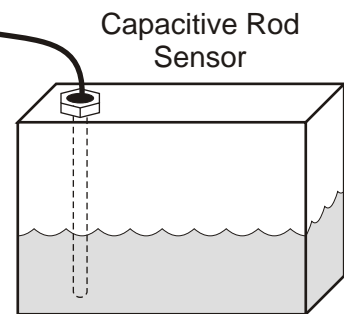
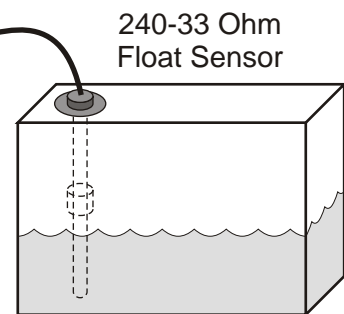
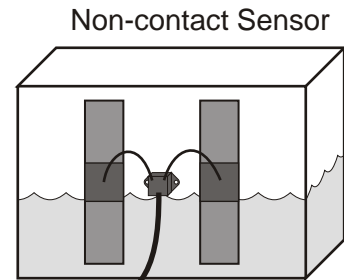


Profile Series Display Panels

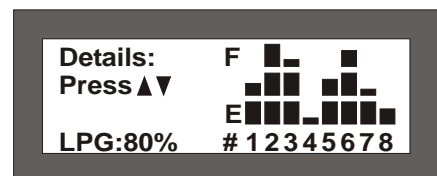
The **Profile Series Legacy** display panel features our exclusive **EZ-Profile** algorithm which corrects for odd-shaped tanks and sensor types. This panel is also compatible with nearly all sensor types available on the market today making it easy to both retrofit into an existing system or install new.

Basic Features:

- Simple to install, setup and operate.
- Compatible with capacitive level sensors, 240-33 Ohm float sensors, and 0-90 Ohm LPG sensors.
- Features our exclusive **EZ-Profile** software algorithm which corrects for odd tank shape and sensor type.
- Autonomous monitoring with out-of-bounds alarms.
- Panel will monitor liquid levels for 1 to 8 tanks.
- Data is displayed on a 4x20 backlit LCD display.
- Multi-tank display shows levels for all attached tanks at once for at-a-glance convenience (see right).
- Detailed tank view displayed as a 24-position bar graph with tank status information (see above).



Multi-Tank Display



Detailed Tank View

